

PLEASE CHECK WWW.MOLEX.COM FOR LATEST PART INFORMATION

Part Number: **0555131615**
Status: **Active**
Description: 1.25mm (.049") Pitch Small MGC (Multi-Ground Connector) Plug Cover A, Polarizing Key 2.10mm (.083") From the Center

Documents:

[Drawing \(PDF\)](#)
[Product Specification PS-54678-003 \(PDF\)](#)
[Product Specification PS-54678-006 \(PDF\)](#)
[Product Specification PS-54678-007 \(PDF\)](#)
[RoHS Certificate of Compliance \(PDF\)](#)

General

Product Family	Accessories
Series	55513
Comments	Plug Cover A
Component Type	Dust Cover
Product Name	Small MGC

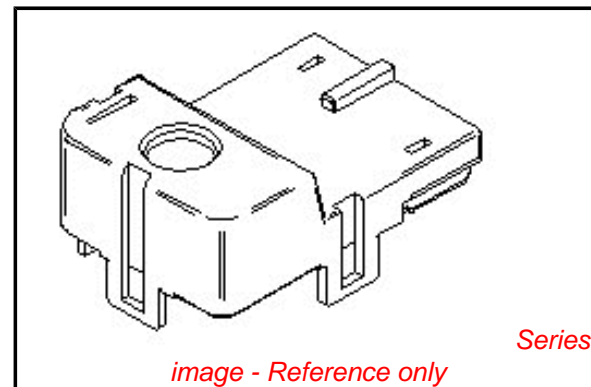
Physical

Circuits (Loaded)	16
Color - Resin	Gray
Lock to Mating Part	Yes
Material - Resin	Polyester
Packaging Type	Tray
Polarized to Mating Part	Yes
Temperature Range - Operating	-20°C to +80°C

Material Info

Reference - Drawing Numbers

Product Specification	PS-54678-003, PS-54678-006, PS-54678-007
Sales Drawing	SD-55513-002



EU RoHS

**ELV and RoHS
Compliant**
**REACH SVHC
Contains SVHC: No**
**Halogen-Free
Status**

China RoHS



**Need more information on product
environmental compliance?**

Email productcompliance@molex.com
For a multiple part number RoHS Certificate of Compliance, [click here](#)

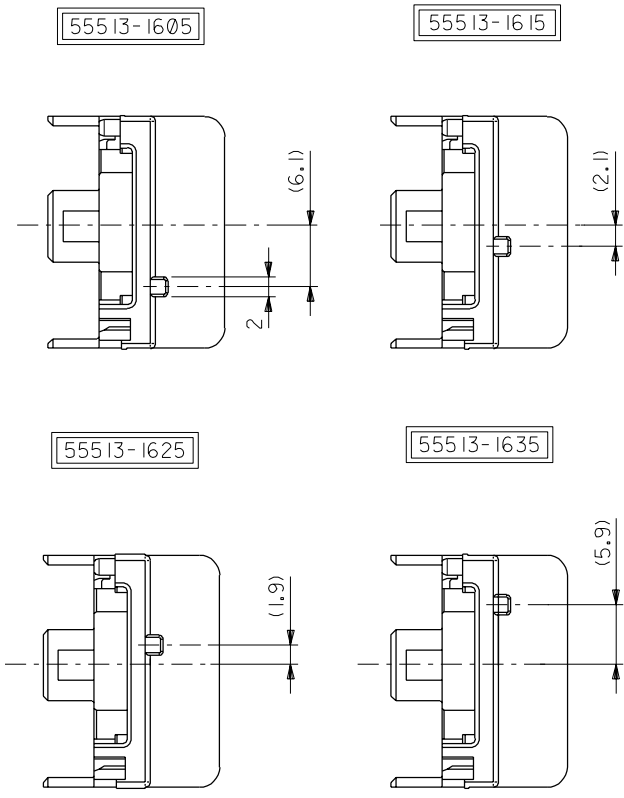
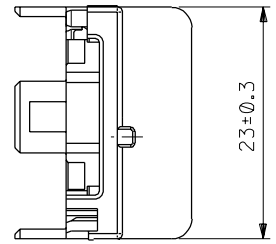
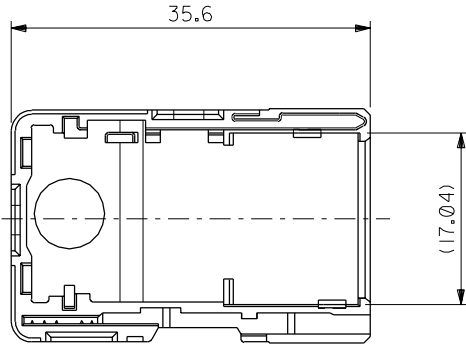
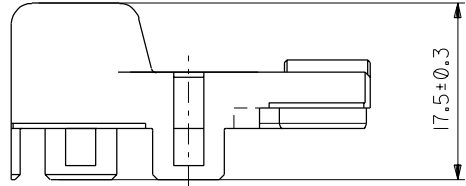
Please visit the [Contact Us](#) section for any non-product compliance questions.

Search Parts in this Series

55513Series

Use With

55516 , 55514



注記
NOTES

- 材質
MATERIAL
ガラス入りPBT UL94V-0, グレー
PBT,G.F.UL94V-0,GRAY
- 適合プラグカバー
SUITED PLUG COVER
COVER B:55514-1605

55513-1635	55513-16*5
55513-1625	
55513-1615	
55513-1605	

MATERIAL NO.	MODEL NO.
DIMENSIONS:	
<input type="checkbox"/> mm	<input type="checkbox"/> INCH
<input checked="" type="checkbox"/> mm	<input checked="" type="checkbox"/> INCH
THIRD ANGLE PROJECTION	
SHT	REV
REVISE ON CAD ONLY	

EC NO. DRWN: CHK: APPR:	EC NO. DRWN: CHK: APPR:	EC NO. DRWN: CHK: APPR:	REVISED EC NO. J2002-0749 DRWN:M.ISOGAYA CHK: S.ICHIKAWA APPR: Y.O.ITO	RELEASED EC NO. JD2001-0070 DRWN:M.ISOGAYA CHK: S.ICHIKAWA APPR: H.IKESUGI
A				

MATERIAL 材料	注記参照 SEE NOTES
FINISH 仕上げ	#
WIRE RANGE 適用線径範囲	#
INS. RANGE 被覆外径	#

GENERAL TOLERANCES: (UNLESS SPECIFIED) 一般公差	SCALE 2-1	DESIGN UNITS <input checked="" type="checkbox"/> mm <input type="checkbox"/> INCH
10 UNDER 未満	±0.2	DRAWN BY & DATE M.ISOGAYA '00/07/11
10 OVER 30 UNDER 未満	±0.25	
30 OVER 以上	±0.3	
ANGLE 角度	±3°	CHECKED BY & DATE S. Ichikawa / Y.Oto
		APPROVED BY & DATE <i>(Signature)</i>
		CAD FILENAME 55513002.S01

TITLE: SMALL-MGC PLUG COVER A		
MOLEX INCORPORATED		
MATERIAL NO. SEE CHART	DRAWING NO. SD-55513-002	SHEET NO. 1 OF 1
THIS DRAWING CONTAINS INFORMATION THAT IS PROPRIETARY TO MOLEX INCORPORATED AND SHOULD NOT BE USED WITHOUT WRITTEN PERMISSION.		
		SIZE B

DO NOT SCALE DRAWING